

Modular Air Bearing System (MLS)



Solving MLS Modular Air Bearing Systems are designed to move any load, large or small, from a few thousand kilos to 360 tons.

Easy to use and store

MLS systems are easy to set up and operate. One system can be used for a variety of loads, and can be conveniently placed in the storage box provided when not in use.

Omnidirectional movement and precise positioning

Solving Modular Air Bearing Systems are omnidirectional and enable precise positioning of heavy loads in tight or narrow spaces. Normal shop compressed air is used to power the system.

No floor wear

Modular Air Bearing Systems float heavy loads on a thin film of air virtually eliminating friction and causing no floor wear.

Cost-effective

Solving Air Bearing Systems are a cost-effective way of handling heavy and bulky loads with minimal maintenance costs.

Examples of application

- Moving machines in and out of production facilities
- Handling production equipment inside factories
- Bringing ships out of repair or production facilities
- Handling containers in industrial facilities
- Handling prefabricated housing units through production



Modular Air Bearing System (MLS)

TECHNICAL INFORMATION for a 4-module system

Type ¹⁾	Capacity per set of 4 ²⁾		Air consumption ³⁾		A	B	C	D	E ⁵⁾
	kg	lbs	NI/min	SCFM	mm	mm	mm	in	in
MLS412X-S-A	7000	15400	1120	39	304	31/51 ⁴⁾	15	1/2	1
MLS415X-S-A	10000	22000	2200	77	380	31/51 ⁴⁾	20	1/2	1
MLS418X-S-A	11200	24200	2600	92	457	58	20	3/4	1
MLS421X-S-A	14000	31000	3000	106	534	58	25	3/4	1
MLS427X-S-A	24000	53000	3400	120	684	65	35	3/4	1 1/2
MLS436X-S-A	44000	97000	4000	141	914	71	50	3/4	1 1/2
MLS418X-H-A	20000	44000	4600	162	457	58	20	3/4	1
MLS421X-H-A	28000	62000	5200	184	534	58	25	3/4	1 1/2
MLS427X-H-A	48000	106000	6000	212	684	65	35	3/4	1 1/2
MLS436X-H-A	80000	176000	7000	247	914	71	50	1	1 1/2
MLS442X-H-A	120000	265000	7500	262	1070	71	65	1	2
MLS448X-H-A	160000	353000	8000	282	1220	71	75	1	2
MLS460X-H-A	240000	528000	11000	388	1505	71	75	1	2

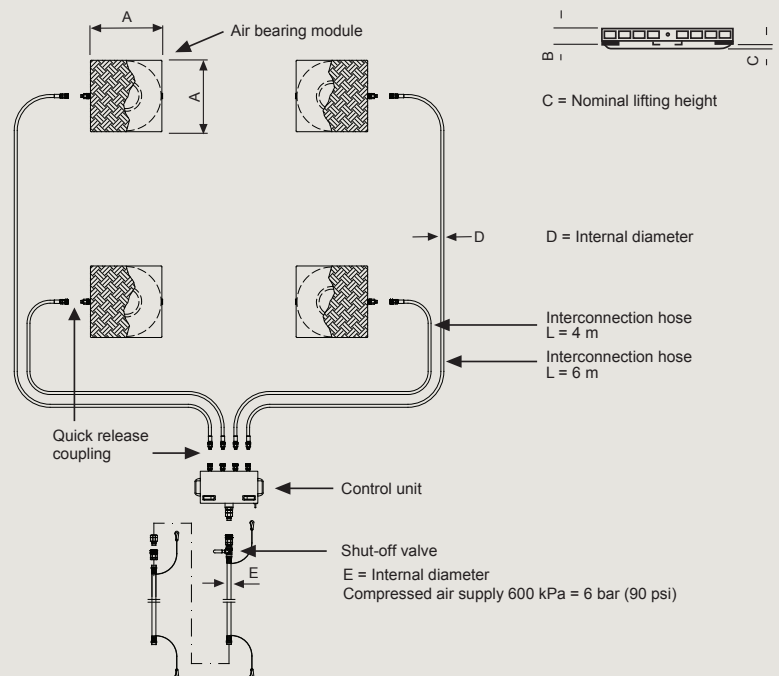
1) 'A' refers to standard plastic support bars under the control unit. Other features are available under 'Options' below. 2) The modules must be placed under the load so that each one sees no more than one quarter of the full system capacity. 3) These figures refer to good floor conditions, i.e. power-trowelled and sealed concrete surfaces. 4) Cast aluminium/Extruded aluminium construction. 5) Supply hose ID and shut-off-valve thread size.

The Modular Air Bearing System includes:

- 4 air bearing modules
- 4 interconnection hoses with quick release couplings
- Control unit equipped with pressure regulator and gauge for each module, supply pressure gauge and plastic support bars
- 30 m supply hose including shut-off valve
- Storage box, operating instructions

Options:

- Control unit equipped with ball casters (B), assembly brackets (C) or swivel wheels (D)
- 8 m or 10 m interconnection hose
- 50 m supply hose including shut-off valve
- Outlets for air jacks and external drive units



SOLVING

CREATING MOVEMENT

Modular Air Bearing System (MLS)

TECHNICAL INFORMATION for a 6-module system

Type ¹	Capacity per set of 6 ²		Air consumption ³		A	B	C	D	E ⁵
	kg	lbs	NI/min	SCFM	mm	mm	mm	in	in
MLS612X-S-A	10500	23000	1680	59	304	31/51 ⁴	15	1/2	1
MLS615X-S-A	15000	33000	3300	116	380	31/51 ⁴	20	1/2	1
MLS618X-S-A	16800	37000	3600	126	457	58	20	3/4	1 1/2
MLS621X-S-A	21000	46000	4500	158	534	58	25	3/4	1 1/2
MLS627X-S-A	36000	79000	5100	179	684	65	35	3/4	1 1/2
MLS636X-S-A	66000	145000	6000	210	914	71	50	3/4	1 1/2
MLS618X-H-A	30000	66000	6300	221	457	58	20	3/4	1 1/2
MLS621X-H-A	42000	92000	7800	273	534	58	25	3/4	1 1/2
MLS627X-H-A	72000	158000	9000	315	684	65	35	3/4	1 1/2
MLS636X-H-A	120000	264000	10500	368	914	71	50	1	2
MLS642X-H-A	180000	396000	11100	389	1070	71	65	1	2
MLS648X-H-A	240000	529000	12000	420	1220	71	75	1	2
MLS660X-H-A	360000	792000	16500	582	1500	71	65	1	2

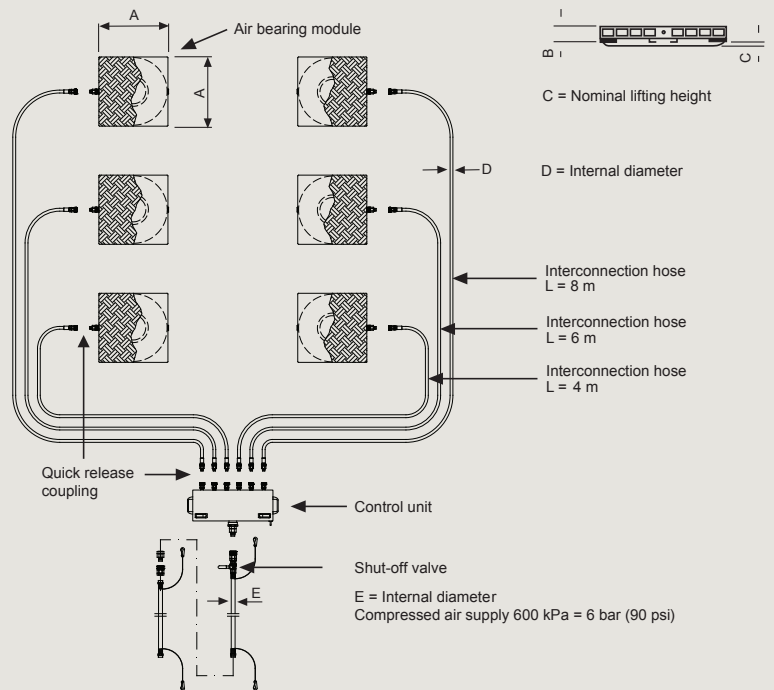
1) 'A' refers to standard plastic support bars under the control unit, other options under 'Optional' below. 2) The modules must be placed under the load so that each one sees no more than one sixth of the full system capacity. 3) These figures refer to good floor conditions, i.e. power-trowelled and sealed concrete surfaces. 4) Cast aluminium/Extruded aluminium construction. 5) Supply hose ID and shut-off valve thread size.

The Modular Air Bearing System includes:

- 6 air bearing modules
- 6 interconnection hoses with quick release couplings
- Control unit equipped with pressure regulator and gauge for each module, supply pressure gauge and plastic support bars
- 30 m supply hose including shut-off valve
- Storage box, operating instructions

Options:

- Control unit equipped with ball casters (B), assembly brackets (C) or swivel wheels (D)
- 8 m or 10 m interconnection hose
- 50 m supply hose including shut-off valve
- Outlets for air jacks and external drive units



SOLVING

CREATING MOVEMENT



SOLVING

Ab Solving Oy

Bennäsvägen 181
FI-68600 Jakobstad, Finland
Tel. +358 6 781 7500
sales@solving.com
www.solving.com

CREATING MOVEMENT